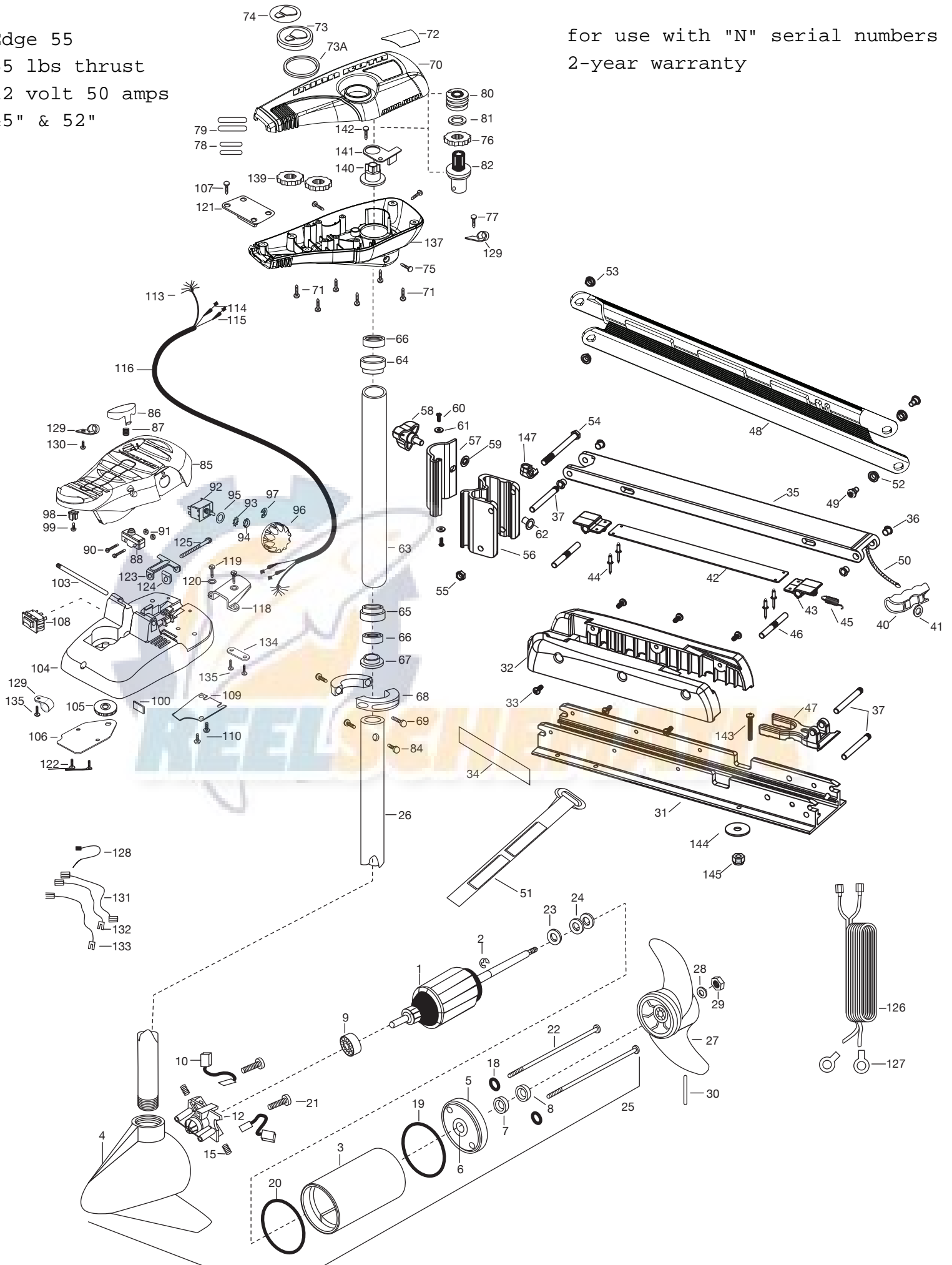


Edge 55
55 lbs thrust
12 volt 50 amps
45" & 52"

for use with "N" serial numbers
2-year warranty



PARTS LIST

ITEM #	QTY	PART NUMBER	DESCRIPTION
1	1	2-100-121	ARM ASSEMBLY 12 V 3.625
2	1	788-015	RETAINING RING
3	1	2-200-101	HOUSING ASSEMBLY CENTER 3.625 TXT
4	1	2-300-195	HOUSING -ASSEMBLY BRUSH END 3.625 SP.CO
5	1	2-400-101	PLAIN END HOUSING ASSEMBLY
6	1	144-049	BEARING-FLANGE [SERVICE ONLY]
7	1	880-003	SEAL
8	1	880-006	SEAL WITH SHIELD
9	1	140-010	BEARING -BALL
10	2	188-036	BRUSH ASSEMBLY
12	1	738-036	BRUSH PLATE W/HOLDER 3.625
15	2	975-040	SPRING- TORSION
18	2	701-008	O-RING
19	1	337-036	GASKET
20	1	701-081	O-RING
21	2	830-007	SCREW- SELF-THREAD 8-32X1.7
22	2	830-042	THRU BOLT 10-32 X 8.83
23	1	990-067	WASHER- STEEL THRUST
24	2	990-070	WASHER- NYLATRON
25	1	2097086	MTR ASSEMBLY 24V 3.625 5SPD 45"
	1	2097087	MTR ASSEMBLY 24V 3.625 5SPD 52"
26	1	2032061	TUBE (COMP)W/CSK HOLE 45"
	1	2032067	TUBE (COMP)W/CSK HOLE 52"
■	1	1378131	PROPELLER KIT
27	1	2091160	PROPELLER W/WEDGE 2
28	1	2151726	WASHER- 5/16 SS
29	1	2053101	NUT-PROP NYLOC
30	1	2092600	PIN-DRIVE SS
31	1	2266507	BOWPLATE, FW, LONG, 52"
	1	2266502	BOWPLATE, FW, STD, 45"
32	1	2263905	MOTOR REST, BLK.
33	6	2303430	SCREW 1/4-20 X 5/8
34	2	2265667	MOTOR REST DECAL, FW
■	1	2991717	MOUNT, ASSEMBLY LONG FW
	1	2991716	MOUNT, ASSEMBLY SHORT FW
35	1	2264347	LOWER ARM, FW, LONG
	1	2264342	LOWER ARM, FW, STD.
36	4	2266002	NYLINER 3/8" SHAFT
37	3	2260503	PIVOT PIN
40	1	2150400	PULL-GRIP
41	1	2151700	WASHER-EYE SHAFT .562 OD
■	1	2293812	LATCH STRAP ASSEMBLY, LONG, 52"
	1	2993811	LATCH STRAP ASSEMBLY, STD, 45"
42	1	2263607	LATCH STRAP, LONG, 50"

ITEM #	QTY	PART NUMBER	DESCRIPTION
	1	2263605	LATCH STRAP, STD, 45"
43	2	2261902	BRACKET-LATCH
44	4	2268602	RIVET 1/8" SS
45	1	2262709	SPRING-LATCH PIN
46	2	2260501	LATCH PIN
47	1	2261544	YOKE-TUBE
48	1	2264272	ARM-UPPER, LONG FW
	1	2264271	ARM-UPPER, SHORT FW
49	2	2263510	BOLT-SHOULDER, SS
50	1	2251601	ROPE- 44.5" (36"/45" MODELS)
	1	2251603	ROPE-48" (52" MODEL)
51	1	2263805	VELCRO STRAP
52	1	2267302	BUSHING-LOWER 7/16" ID, SS
53	1	2267303	BUSING-UPPER 3/8" ID, SS
54	1	2263505	BOLT 3/8-16 X 4.25"
55	1	2263114	NUT-NYLOCK JAM 3/8-16
56	1	2261872	HINGE BASE, FW
57	1	2261877	HING DOOR, FW
58	1	2260905	HANDLE-SOFT GRIP, L&D
59	1	2261728	WASHER-RETAINING 3/8"
60	2	2053415	SCREW #8-32 X 3/8" TRI
61	2	2261732	WASHER #8, NYLON
■	1	2992012	TUBE W/ BEARING RACE ASSEMBLY 21"
	1	2292016	TUBE W/ BEARING RACE ASSEMBLY 24"
62	2	2264703	INSERT - THREADED
63	1	2272069	TUBE OUTER-21" 4 HOLES
	1	2272067	TUBE OUTER -24" 4 HOLES
64	1	2266260	BEARING RACE
65	1	2266220	BEARING RACE-STEEL
66	2	2266000	BEARING BALL-STEEL
67	1	2266115	BEARING CONE
68	2	2261622	COLLAR HALF-ALUMINUM-
69	2	2263453	SCREW-1/4X20 X 1" SHCS SS
70	1	2260215	CONTROL BOX COVER
71	6	2372100	SCREW-8-18 X 5/8 THD
72	1	2275613	DECAL-COVER, EDGE 55/FC
73	1	2260153	POINTER DISC SHORT YELLOW
73A	1	2261733	WASHER-FOAM, INDICATOR
74	1	2265800	DECAL-INDICATOR
75	3	2053414	SCREW-8-32 X 1/2 TRI LOBE
76	1	2372100	SCREW-8-18 X 5/8 THD
77	1	2372100	SCREW-8-18 X 5/8 SS
78	2	2375400	SHRINK TUBE-1/4OD X 1-3/4
79	2	2355410	SHRINK TUBE-3/8 OD X 2

ITEM #	QTY	PART NUMBER	DESCRIPTION
80	1	2232360	PULLEY-CABLE DRUM
81	1	2261730	WASHER-NYLON A/T
82	1	2996246	BEARING RACE/ PINION ASSEMBLY
84	2	2263410	SCREW-8-32 X 5/16 ZN PL
85	1	2994496	FOOT PEDAL/PLUG ASSEMBLY AT
86	1	2283700	PUSH-BUTTON
87	1	2302732	SPRING-LOWER PEDAL SS
88	1	2264040	SWITCH MOMENTARY
90	2	2262114	SCREW-MOUNTING/SWITCH
91	2	2233100	NUT-SWITCH MOUNT
92	1	2264026	SWITCH-S SPEED
93	1	2261701	LOCKWASHER-STAR
94	1	2263105	NUT-HEX
95	1	2261715	SPACER-SWITCH 5 SP MODELS
96	1	2280110	KNOB-SPEED CONTROL 5SPD
97	1	2263000	E-RING TRU-ARC
98	1	2260730	CONNECTOR 1/4 MALE TAB
99	1	2332103	SCREW-6-20 X 3/8
100	1	2266413	TENSION SCREW PLATE FT PEDL
103	1	2260511	PIN-PIVOT A/T FT PDL
104	1	2992104	FT PEDAL BASE/PIN ASSEMBLY SONAR
105	1	2262301	PULLEY-FOOT PEDAL
106	1	2266401	COVER-PULLEY STAMPING
107	4	2223430	SCREW-#8X 3/4 PPH TYPE 25 SS
108	1	2254031	SWITCH-MOM/OFF/COM
109	1	2266412	SWITCH PLATE, FT PEDAL
110	2	2332103	SCREW-6-20 X 3/8 THD
113	1	2261208	WIRE HARNESS, A/T FT. PED
114	1	2267505	CABLE ASSEMBLY-RIGHT 5'
115	1	2267515	CABLE ASSEMBLY-LEFT 5'
116	1	2265430	CABLE JACKET 5'
118	1	2265115	BOOT-FOOT PEDAL BASE
119	2	2372100	SCREW-8-18 X 5/8 THD
120	2	2261714	WASHER-MAXXUM FT PDL
121	1	2261901	BRACKET-CONDUIT AT/MAX
122	4	2223430	SCREW-8-18 X 3/4"
123	1	2263210	BRACKET- CONDUIT ADJUSTMENT
124	1	2263104	NYLOCK KEEPER
125	1	2263466	SCREW-1/4-20 X 2 STL PPH
126	1	2261235	LEADWIRE-BATTERY
127	2	2020700	TERMINAL RING, 3/8"
128	1	2256300	TIE WRAP-5.5" BLACK
129	3	2263201	CLAMP WIRE HARNESS MICRO
130	1	2332103	SCREW-6-20 X 3/8 THD

ITEM #	QTY	PART NUMBER	DESCRIPTION
131	1	2260301	CONNECTING WIRE -SWITCH
132	1	2260312	WIRE,BLK W/SHT- 19 1/2
133	1	2260322	WIRE,BLK W/BLUE -12"
134	1	2263205	LEADWIRE CLAMP
135	1	9953104	SCREW-8 X 1/2" SS
137	1	2262515	CONTROL BOX BOTTOM
139	2	2267800	GEAR-INDICATOR
140	1	2262221	INDICATOR-DRIVE (YELLOW)
141	1	2261905	BRACKET/INDICATOR
142	1	2223430	SCREW-#8X 3/4 PPH TYPE 25 SS
■	1	2994838	BAG ASSEMBLY
*143	6	2263462	SCREW 1/4-20X2 SS
*144	6	2261713	WASHER-1/4 FLAT 18-18
*145	6	2263103	NUT- 1/4-20 NYLOCK-JAM
147	1	2262310	GUIDE ROPE
■	1	2883460	SEAL & ORING KIT



*THIS ITEM IS PART OF AN ASSEMBLY. THIS ITEM CANNOT BE SOLD SEPARATELY DUE TO MACHINING AND/OR ASSEMBLY THAT IS REQUIRED

Edge 55 is 12-volt only!

